
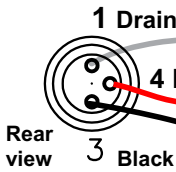
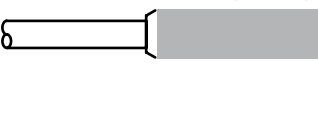

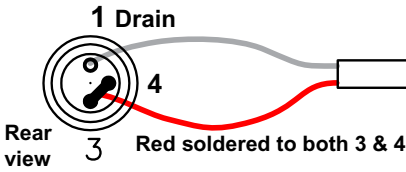
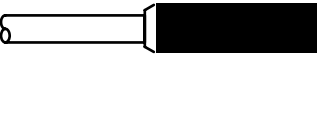

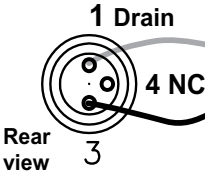
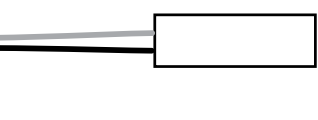
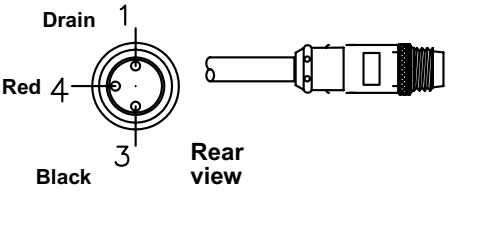
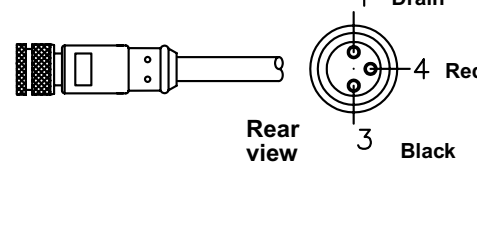
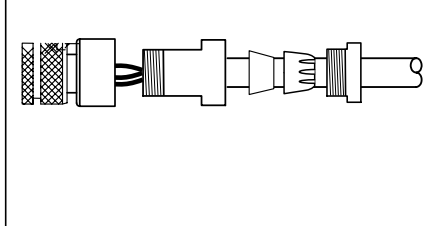


# AutoAnchor Sensor Wiring - Use the Plug In Sensor Connector Cables

■ **Field Connectors for Plug** - Used if the sensor or console does not have plugs.

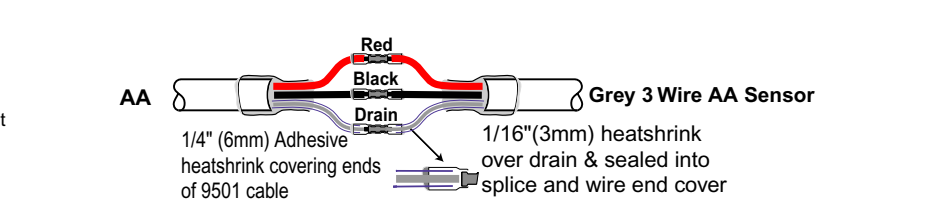
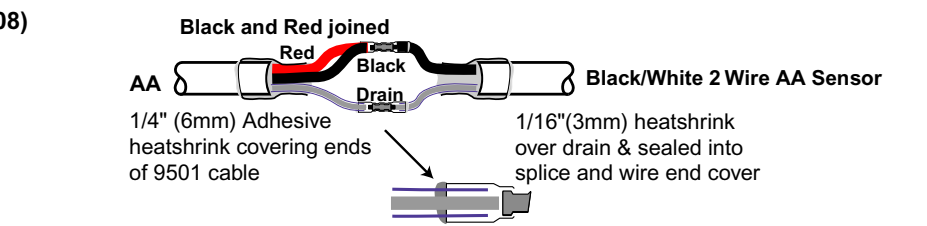
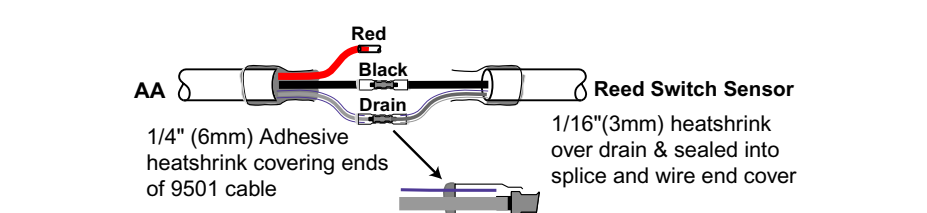
<p><b>Grey 3 Wire AutoAnchor Sensor (#9067)</b></p>	<p><b>Female Field Connector (#9509)</b></p> 	<p><b>1 Drain</b> <b>4 Red</b> <b>3 Black</b></p> <p>Rear view</p> 	<p><b>Grey 3 Wire AutoAnchor Sensor (#9067)</b></p> 
<p>Suitable for Chain only or Combined Rope and Chain Rodes</p>			
<p><b>Black 2 Wire (#9008) or White 2 Wire (#9078) AutoAnchor Sensor</b></p>	<p><b>Female Field Connector (#9509)</b></p> 	<p><b>1 Drain</b> <b>4</b> <b>3</b></p> <p>Rear view</p> <p>Red soldered to both 3 &amp; 4</p> 	<p><b>Black 2 Wire (#9008) or White 2 Wire (#9078) AutoAnchor Sensor</b></p> 
<p><b>Reed Switch Sensor</b></p>	<p><b>Female Field Connector (#9509)</b></p> 	<p><b>1 Drain</b> <b>4 NC</b> <b>3</b></p> <p>Rear view</p> 	<p><b>Reed Switch Sensor</b></p> 

## ■ Sensor Cable Joins

<p><b>Male Field Connector #9507</b></p> 	<p><b>Female Field Connector #9509</b></p> 	<p><b>Exploded Field Connector Assembly Example</b></p> 
-----------------------------------------------------------------------------------------------------------------------------	---------------------------------------------------------------------------------------------------------------------------------	-----------------------------------------------------------------------------------------------------------------------------------------------

## ■ Cable Connections without Plugs

If the AutoAnchor plug in connectors are not used the cable joins must be solder spliced and sealed in heat shrink tubing. The entire splice must be water proof. Sensor cable must be Beldon 8501 (24 AWG) or equivalent.

<p><b>Sensor Cable Splice Using the Grey 3 Wire AutoAnchor Sensor (#9051)</b></p> <p>Ensure all wires are matched and connected including the screen/drain wire. All connections must be made for the unit to operate.</p>	<p><b>AA</b></p>  <p><b>Grey 3 Wire AA Sensor</b></p> <p>1/4" (6mm) Adhesive heatshrink covering ends of 9501 cable</p> <p>1/16"(3mm) heatshrink over drain &amp; sealed into splice and wire end cover</p>
<p><b>Sensor Cable Splice Using the Black (#9008) or White (#9078) AutoAnchor Sensor</b></p>	<p><b>AA</b></p>  <p><b>Black and Red joined</b></p> <p><b>Black/White 2 Wire AA Sensor</b></p> <p>1/4" (6mm) Adhesive heatshrink covering ends of 9501 cable</p> <p>1/16"(3mm) heatshrink over drain &amp; sealed into splice and wire end cover</p>
<p><b>Sensor Cable Splice Using a Reed Switch Sensor</b></p> <p>When connecting the reed switch sensor to the AA, the red wire is not connected.</p>	<p><b>AA</b></p>  <p><b>Reed Switch Sensor</b></p> <p>1/4" (6mm) Adhesive heatshrink covering ends of 9501 cable</p> <p>1/16"(3mm) heatshrink over drain &amp; sealed into splice and wire end cover</p>