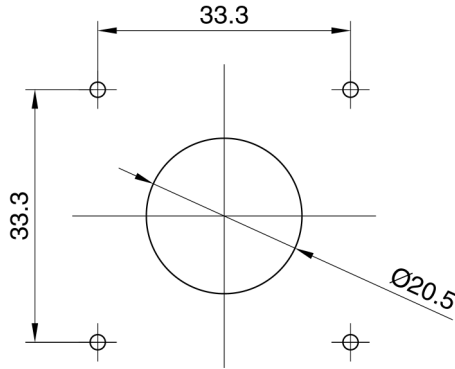


AA300 Series Socket Template and Wiring



Dimensions in mm.

WIRING CONNECTIONS



THE POWER SUPPLY MUST BE DISCONNECTED WHEN INSTALLING, CONNECTING OR CHANGING THE WIRING

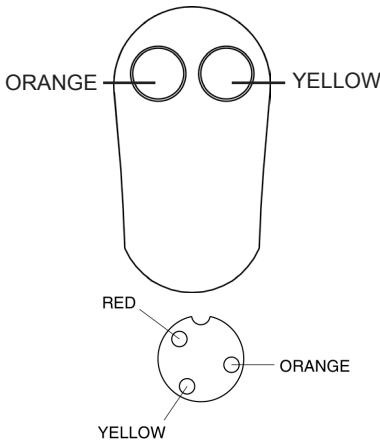
Follow the wiring diagram for electrical connections.

Ensure the controls are connected to operate in the correct direction.

Colour match the buttons to the wires.

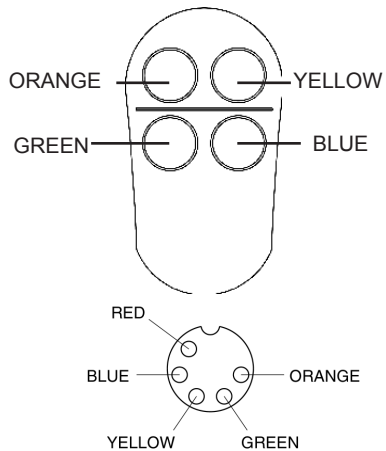
Red is the Common Positive (+)

2 BUTTON CONFIGURATION



3P SOCKET PIN ASSIGNMENT
(Front View)

4 BUTTON CONFIGURATION



5P SOCKET PIN ASSIGNMENT
(Front View)

AutoAnchor

Tel: +64 9 419 1219 Fax: +64 9 419 1931

Email: info@autoanchor.co.nz Web: www.autoanchor.co.nz

AutoAnchor is a trademark of RMSD Limited Copyright © 2010 RMSD Limited, New Zealand 02/10

