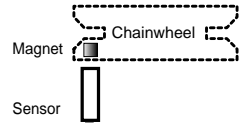
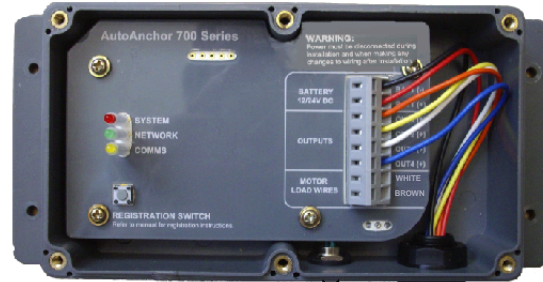


AA702.3: AC & Hydraulic All Chain Wiring for AA710 System

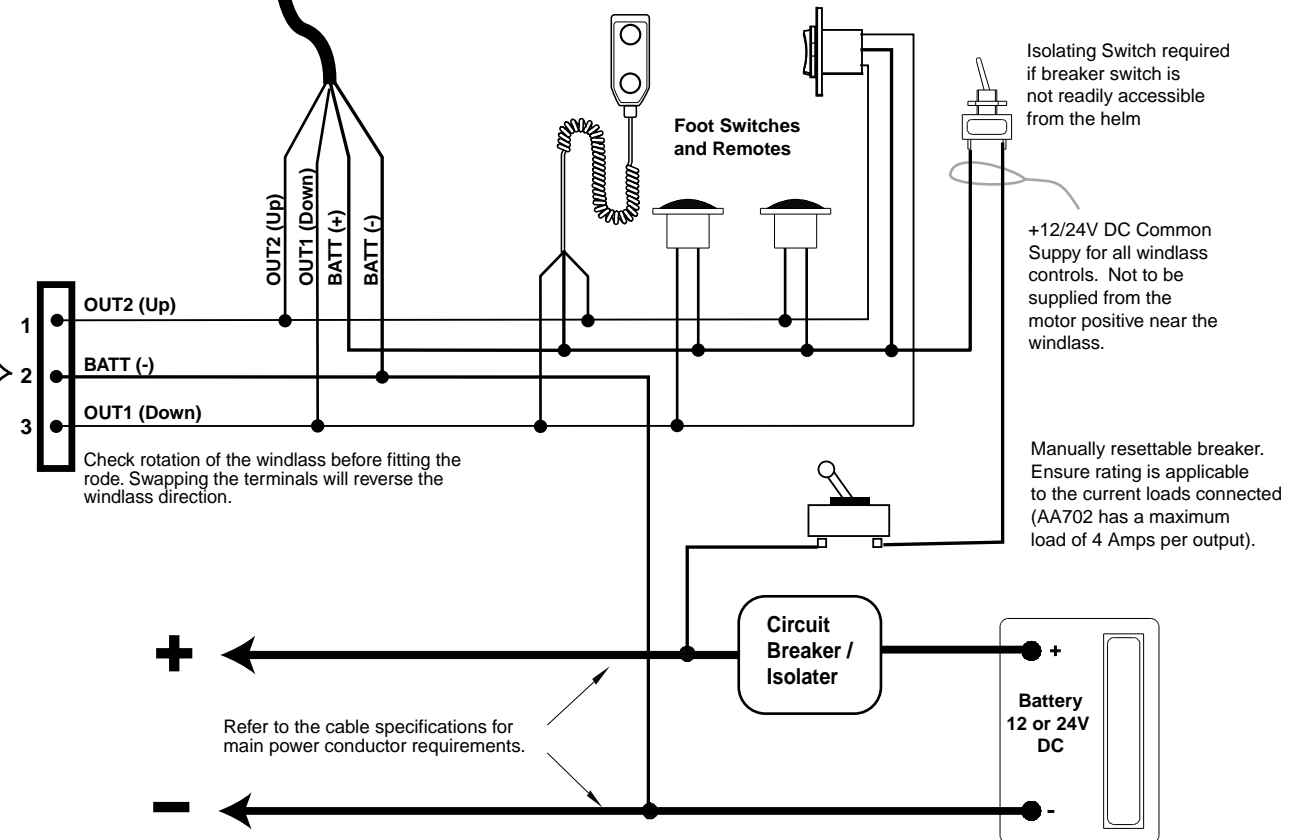
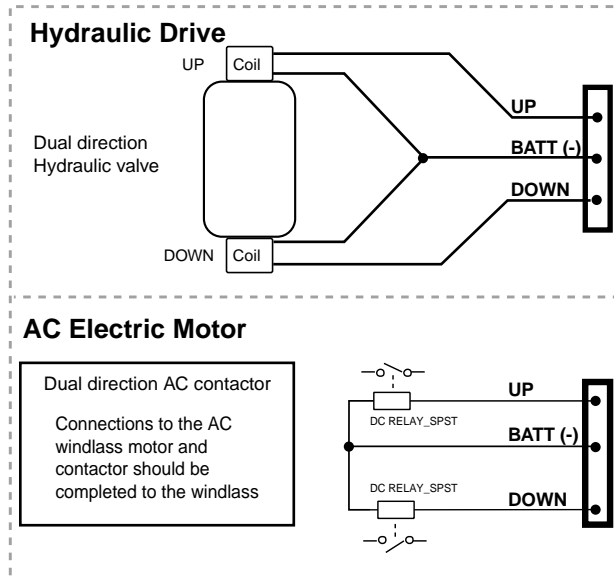
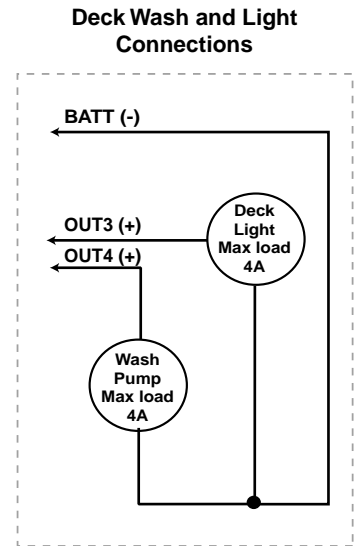


Note:
Base station must be positioned to allow internal access during and after installation



AA702 Base Station Internal Connections

- BATT (-)
 - BATT (+)
 - OUT1 (+) - Windlass Down
 - OUT2 (+) - Windlass Up
 - OUT3 (+) - Deck Light
 - OUT4 (+) - Deck Wash
 - # WHITE - Windlass (-) Motor Load wire
 - # BROWN - Windlass (+) Motor Load wire
- # Used for rope/chain counting only.



Check rotation of the windlass before fitting the rode. Swapping the terminals will reverse the windlass direction.

Isolating Switch required if breaker switch is not readily accessible from the helm

+12/24V DC Common Supply for all windlass controls. Not to be supplied from the motor positive near the windlass.

Manually resettable breaker. Ensure rating is applicable to the current loads connected (AA702 has a maximum load of 4 Amps per output).

Refer to the cable specifications for main power conductor requirements.

WARNING: Power must be disconnected during installation and when making any changes to wiring after installation

INSTALLATIONS MUST BE CARRIED OUT IN ACCORDANCE WITH USCG, ABYC, NMMA and BMEA REQUIREMENTS